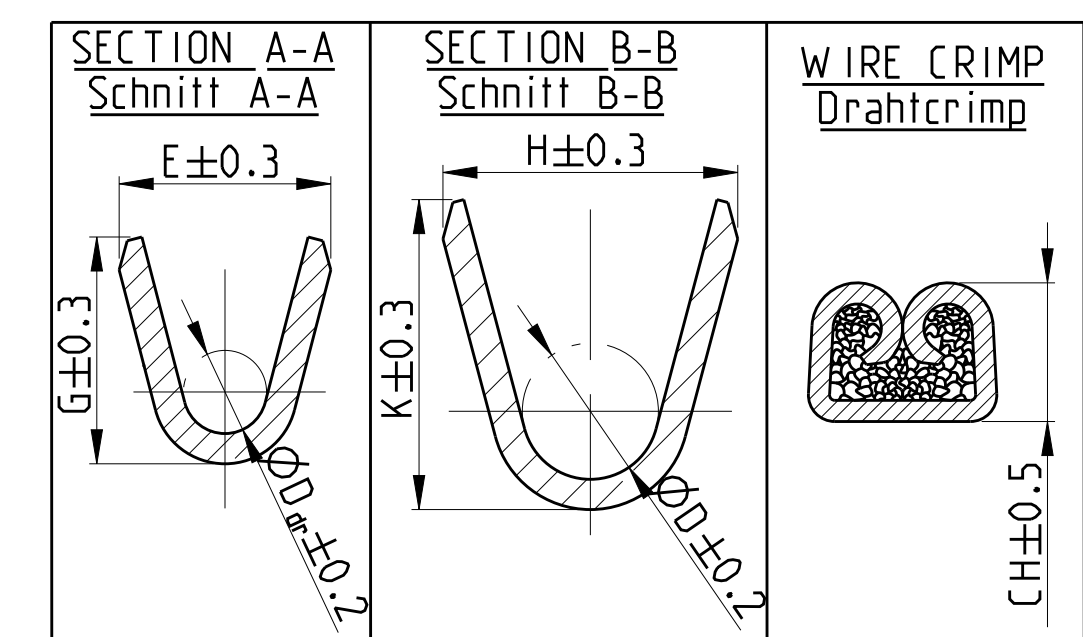
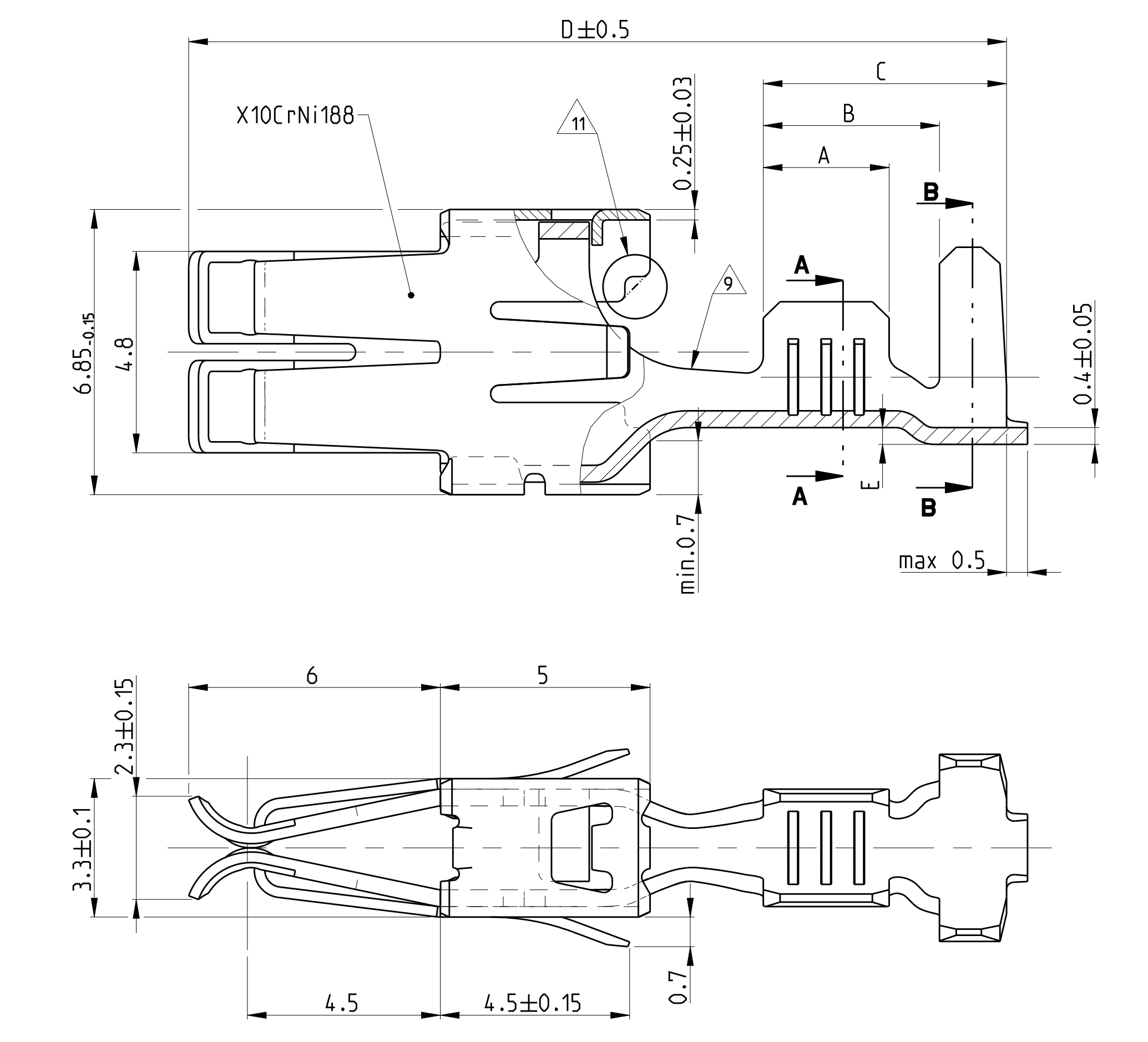


LOC	DIST	REV	DESCRIPTION	DATE	BY	APPV
A1	-	B3	SEE ECR 12-016501	19920202	JS	RS
		B4	ECR-14-010155	19A032004	S.K.	J.P.
		B5	ECR-15-012070	19A032005	J.B.H.	BK

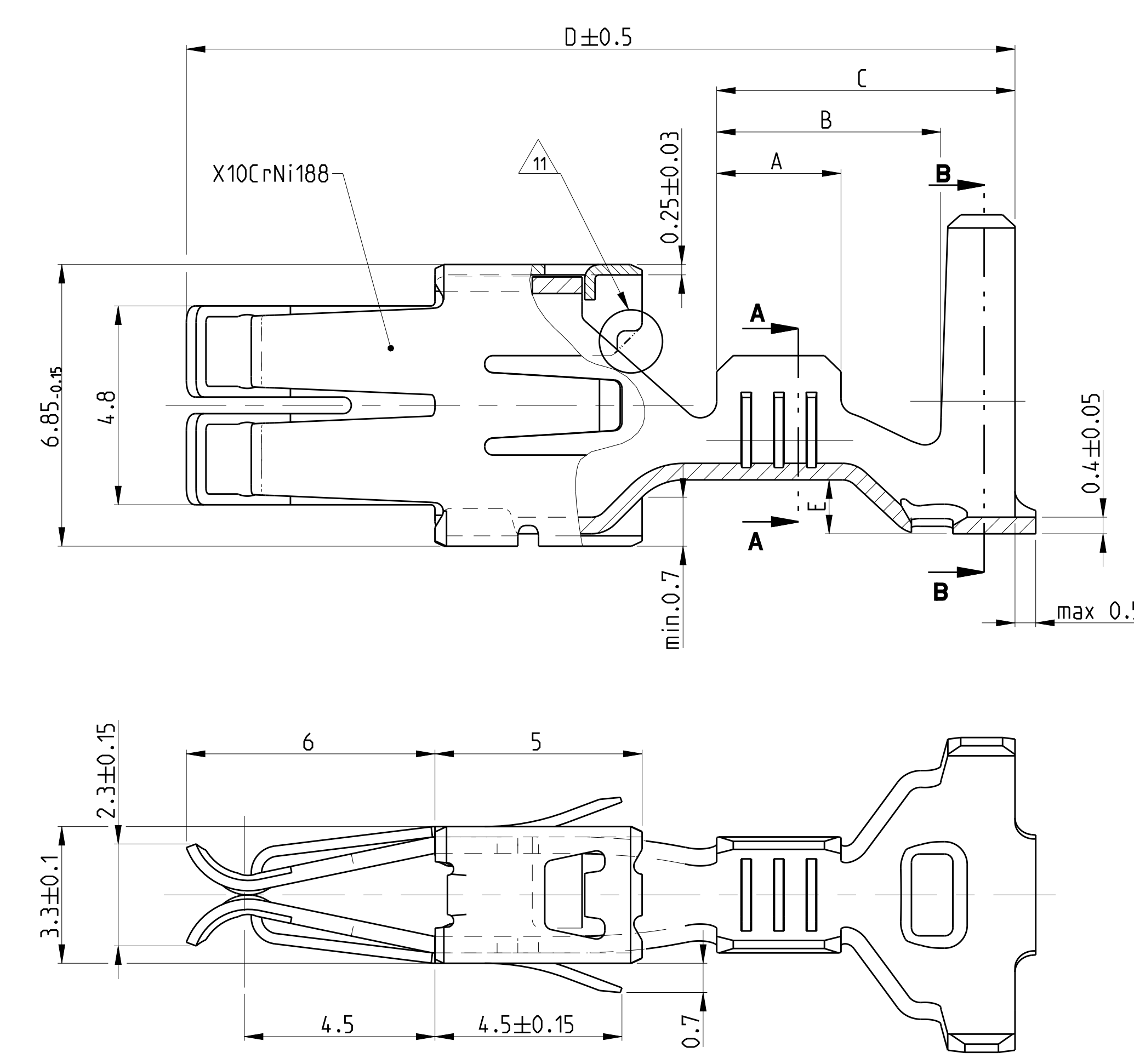


PART NO.	MATERIAL	SURFACE	TE CONNECTIVITY	DGB WIRE RANGE	CRIMP DIMENSIONS (mm)					EXTRACTION TOOL	A	B	C	D	E
					E	G	H	K	D						
927839-5	CuFe2	vorversilbert PRESILVERED	0.2 - 0.5 FLK	E = 2.2	H = 3.7	0.20mm <sup>2</sup> = 1.13	MQC - Applicator	539635-1 WITH DIE: mit Matrize 539744-2	2.5	3.8	6.6	19.5	0.3		
927839-4	CuSn4			G = 2.2	K = 3.8	0.25mm <sup>2</sup> = 1.15	878426-2								
927839-2	CuSn4	vorverzinkt PRE TINNED		D = 0.8	D = 2.0	0.35mm <sup>2</sup> = 1.19									
927839-1	CuFe2					0.50mm <sup>2</sup> = 1.26									
927827-2	CuSn4	vorverzinkt PRE TINNED	0.5 - 1.0 FLK	E = 2.8 K = 4.7 D = 1.1	H = 4.5 K = 4.7 D = 2.4	0.5mm <sup>2</sup> = 1.38 0.75mm <sup>2</sup> = 1.47 1.0mm <sup>2</sup> = 1.56	MQC - Applicator	539733-2 WITH DIE: mit Matrize 734249-0	3	4.2	5.8	19.5	0.4		
927833-5	CuFe2					1.5mm <sup>2</sup> = 1.76									
927833-2	CuSn4	vorverzinkt PRE TINNED	>1.0 - 2.5 FLK	E = 3.8 G = 4.1 D = 1.6	H = 5.7 K = 5.8 D = 3.6	2.0mm <sup>2</sup> = 1.90 2.5mm <sup>2</sup> = 2.04	MQC - Applicator	539635-1 WITH DIE: mit Matrize 539733-2	3.5	4.7	6.3	19.5	0.4		
927833-1	CuFe2														
927824-2	CuSn4	vorverzinkt PRE TINNED	>2.5 - 4.0 FLK	E = 4.6 G = 4.8 D = 2.4	H = 6.3 K = 6.6 D = 4.0	3.0mm <sup>2</sup> = 2.13 3.5mm <sup>2</sup> = 2.24 4.0mm <sup>2</sup> = 2.35	MQC - Applicator	539635-1 WITH DIE: mit Matrize 539734-2	4	5.2	6.8	19.5	0.6		
927824-1	CuFe2														
963709-7	CuFe2														
963709-5	CuFe2	vorversilbert PRESILVERED													
963709-4	CuSn4														
963709-3	CuSn4														
963709-2	CuSn4	vorverzinkt PRE TINNED	4.0 - 6.0 FLK	E = 5.2	H = 7.3	4.0mm <sup>2</sup> = 2.17	MQC - Applicator		4.2	5.6	7.7	20	0.6		
963709-1	CuFe2														
1241818-6	B CuNiSi			D = 2.9	D = 4.5	6.0mm <sup>2</sup> = 2.55									
1241818-5	B CuFe2														
1241818-1	B CuFe2	vorverzinkt PRE TINNED													
927840-7	CuFe2														
927840-5	CuFe2	vorversilbert PRESILVERED													
927840-4	CuSn4		0.2 - 0.5 FLR	E = 2.2	H = 2.8	0.2mm <sup>2</sup> = 1.13	MQC - Applicator		2.5	3.8	6.4	19.5	0.3		
927840-3	CuSn4														
927840-2	CuSn4	vorverzinkt PRE TINNED													
927840-1	CuFe2														
1-927831-5	CuFe2														
927831-7	CuFe2														
927831-5	CuFe2	vorversilbert PRESILVERED	0.5 - 1.0 FLR	E = 2.8	H = 3.9	0.5mm <sup>2</sup> = 1.43	MQC - Applicator	169400-0 WITH DIE: mit Matrize	3	4.2	5.8	19.5	0.4		
927831-4	CuSn4														
927831-3	CuSn4														
927831-2	CuSn4	vorverzinkt PRE TINNED													
927831-1	CuFe2														
1-927837-5	CuFe2														
927837-7	D CuFe2														
927837-6	D CuFe2														
927837-5	D CuFe2	vorversilbert PRESILVERED	>1.0 - 2.5 FLR	E = 3.8	H = 4.8	1.25mm <sup>2</sup> = 1.69	MQC - Applicator	169400-0 WITH DIE: mit Matrize	3.5	4.7	6.3	19.5	0.4		
927837-4	D CuSn4														
927837-3	D CuSn4														
927837-2	D CuSn4	vorverzinkt PRE TINNED													
927837-1	D CuFe2														
1-927829-5	D CuFe2														
927829-5	D CuFe2														
927829-2	D CuSn4	vorverzinkt PRE TINNED	>2.5 - 4.0 FLR	E = 4.6	H = 5.5	3.0mm <sup>2</sup> = 2.13	MQC - Applicator	169400-0 WITH DIE: mit Matrize 734251-0	4	5.2	6.8	19.5	0.6		
927829-1	D CuFe2														

VERSION A (UNSEALED / ungedichtet)

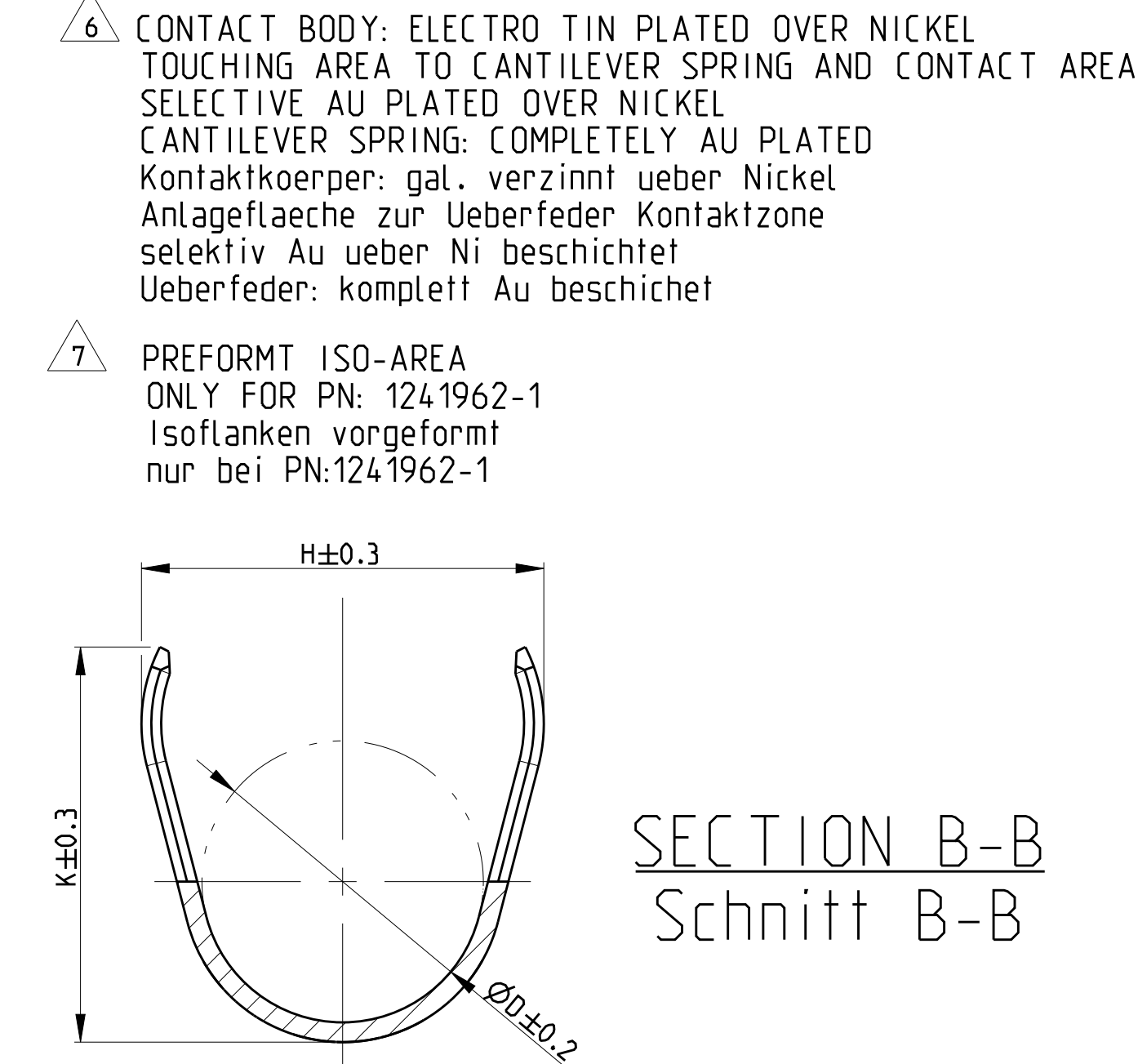


VERSION B (SINGLE WIRE SEAL / Einzel-Dichtungs-System)



PART NO.	MATERIAL	SURFACE	TE CONNECTIVITY	DGB WIRE RANGE	CRIMP DIMENSIONS (mm)					EXTRACTION TOOL	A	B	C	D	E
					E	G	H	K	D						
2-927836-2	CuSn4		0.5 - 1.0 FLR	E = 2.8	H = 7.6	0.5mm <sup>2</sup> = 1.43	MQC - Applicator	539635-1 WITH DIE: mit Matrize 739736-2	3	5.4	7.2	20	1.25		
1-927836-2	CuFe2														
927836-7	CuFe2														
927836-2	CuSn4	vorverzinkt PRE TINNED													
927836-1	CuFe2														
2-927835-2	CuSn4														
2-927835-1	CuSn4														
1-927835-3	CuFe2														
1-927835-2	CuFe2		>1.0 - 2.5 FLR	E = 3.8	H = 7.6	1.5mm <sup>2</sup> = 1.76	MQC - Applicator	539635-1 WITH DIE: mit Matrize	3.5	5.9	7.7	20	1.25		
927835-7	CuFe2														
927835-2	CuSn4														
927835-1	CuFe2	vorverzinkt PRE TINNED													
2-928966-2	D CuSn4														
2-928966-1	D CuSn4														
1-928966-3	D CuFe2														
1-928966-2	D CuFe2		>2.5 - 4.0 FLR	E = 4.6	H = 7.6	3.0mm <sup>2</sup> = 2.13	MQC - Applicator	539635-1 WITH DIE: mit Matrize	4	5.9	7.7	20	1.25		
928966-7	D CuFe2														
928966-2	D CuSn4														
928966-1	D CuFe2	vorverzinkt PRE TINNED													
1241962-1	B CuFe2	vorverzinkt PRE TINNED	>3.0 - 5.0 FLR	E = 4.8 G = 5.2 D = 2.5	H = 8.15 K = 7.8 D = 6.0	3.0mm <sup>2</sup> = 2.25 4.0mm <sup>2</sup> = 2.50 5.0mm <sup>2</sup> = 2.75	MQC - Applicator	WITH DIE: mit Matrize	4	5.9	7.7	20	1.25		

- CONTACT ZONE SELECTIVE PRE SILVER PLATED MIN 3-4.5 µm Kontaktzone selektiv vorversilbert min. 3-4.5 µm
- CONTACT ZONE SELECTIVE PRE SILVER PLATED MIN 1-1.5 µm Kontaktzone selektiv vorversilbert min. 1-1.5 µm
- CONTACT BODY: ELECTRO TIN PLATED OVER NICKEL CONTACT AREA: GOLD PLATED Kontaktkoerper: gal. verzinkt ueber Nickel Kontaktzone: vergoldet
- CONTACT BODY: ELECTRO TIN PLATED OVER NICKEL CONTACT AREA: SELECTIVE NICKEL PLATED 2-4 µm Kontaktkoerper: gal. verzinkt ueber Nickel Kontaktzone: selektiv vernickelt 2-4 µm
- CONTACT BODY: ELECTRO TIN PLATED OVER NICKEL TOUCHING AREA TO CANTILEVER SPRING: SELECTIVE AU PLATED OVER NICKEL CANTILEVER SPRING: COMPLETELY AU PLATED Kontaktkoerper: gal. verzinkt ueber Nickel Anlageflaeche zur Ueberfeder selektiv Au ueber Ni beschichtet Ueberfeder: komplett Au beschichtet



- WRAP CRIMP ONLY FOR PN: 927839, 927840, 928989 AND 928990 Umfassungscrump nur bei PN: 927839, 927840, 928989 und 928990
- TRANSITION ONLY FOR PN 927827, 927828, 927829, 927830, 927833, 927834, 927837, AND 927838 Uebergang nur fuer PN 927827, 927828, 927829, 927830, 927833, 927834, 927837 und 927838
- 1-3 µm Sn20M LAYER FOR HIGHER TEMPERATURE REQUIREMENTS 1-3 µm Sn20M Schicht fuer hoehere Temperaturanforderungen
- DOTTED LINE IS ALTERNATIVE SHAPE Gestrichelte Linie alternative Form
- OBSOLETE

THIS DRAWING IS A CONTROLLED DOCUMENT. DIMENSIONS: mm. MATERIAL: -. FINISH: -. WEIGHT: -. SCALE: 10:1. SHEET: 1 of 1. REV: B5. CUSTOMER DRAWING. STANDARD POWER TIMER CONTACT. STANDARD Power Timer Kontakt. A0 00779 1355048.